

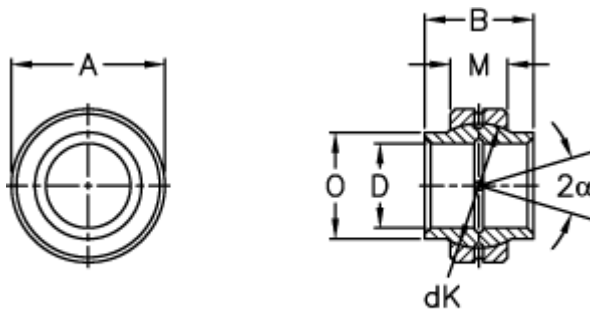
# Data Sheet



Article number: 03504016

Description: Fluro Rod end GE 16LO

## Measures



Str. 12 den smørerille

A	= 28 0 -0,009	Tilt angle = 4
B	= 16	Weight = 35
D	= 16 0 +0,018	
dK	= 23	
Dynamic load C (kN)	= 17.6	
M	= 9	
O	= 20	
Static load C0 (kN)	= 88	